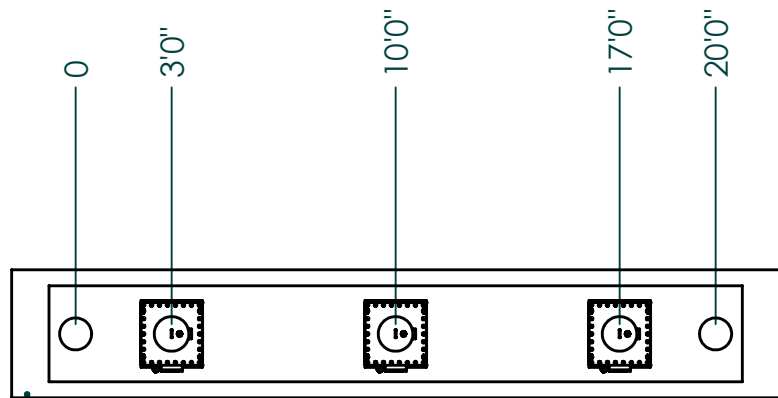
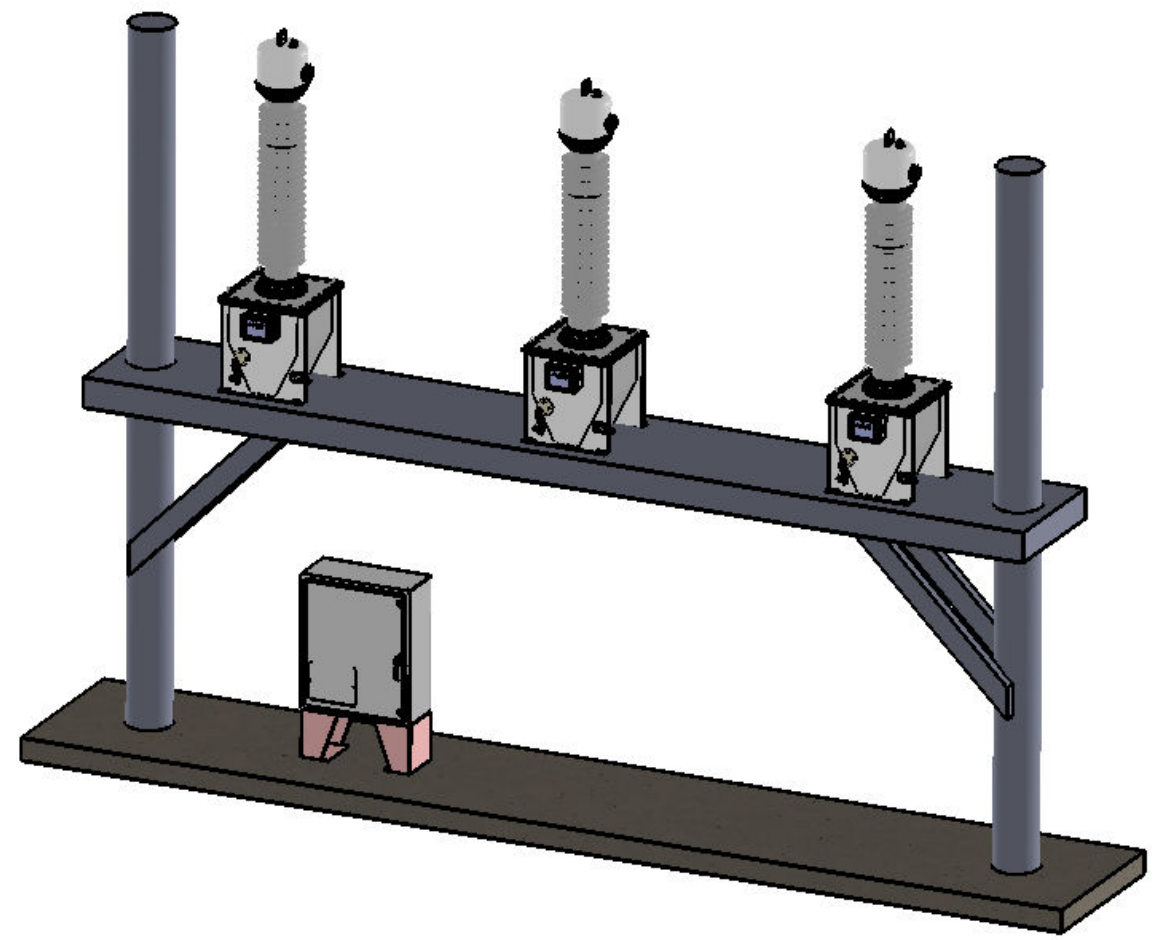
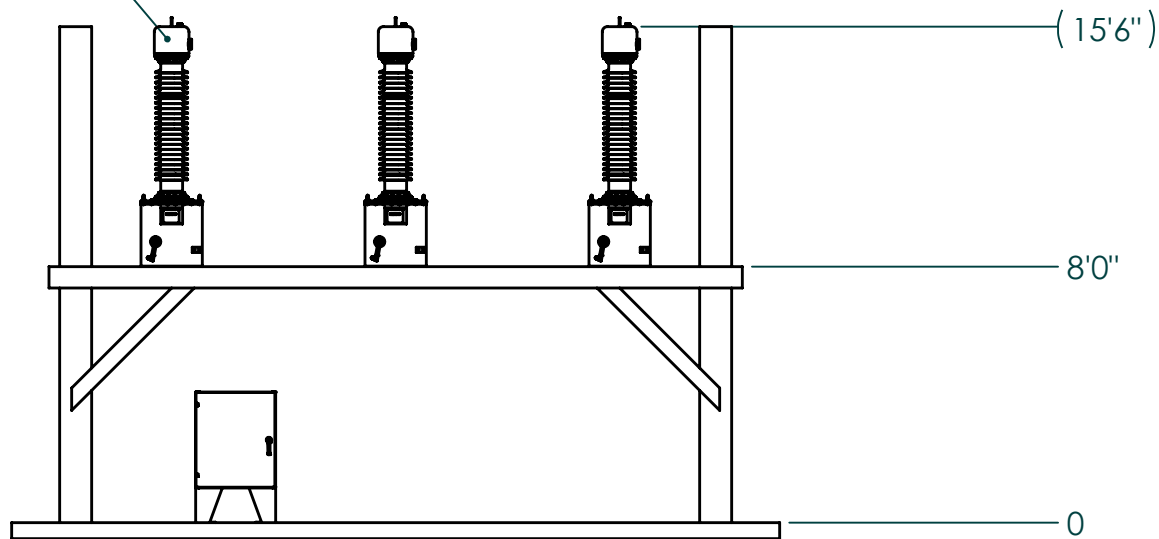


REVISIONS		
REV.	DATE	DESCRIPTION



CONCRETE PAD

UT5-650-138



NEXT ASSEMBLY TOP	MATERIAL SEE BOM	DIMENSIONS ARE IN INCHES UNLESS OTHERWISE SPECIFIED	SIZE B	DESCRIPTION: TRANSFORMER LAYOUT, 138 KV	DWG. NO. 123-000.2.138	REV 00
WEIGHT	FINISH NONE	TOLERANCES ARE: FRACTIONS ± 1/64	DECIMALS .XX ± .01 .XXX ± .005	ANGLES ± 1/2°	MACHINED SURFACE ROUGHNESS 125 (UNLESS OTHERWISE SPECIFIED)	SCALE: 1:72 DATE: 5/7/2020
				DRAWN J Sweeney	SHEET 1 OF 1	